

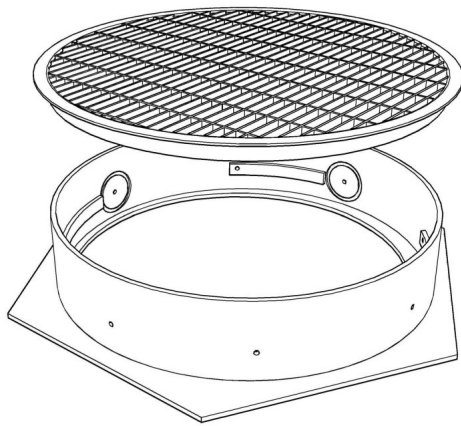
Stainless Steel Grille

for KSR inspection boxes

030653

KEY FEATURES

- Applicable for all KSR inspection boxes
- Easy to maintain
- Durable



(1)KSR-10 inspection box, (2)KSR+10 extension element, (3)KSR cover, (4)Gravel, (5)KLS gravel board, (6)SIM growing media, (7)VLF filter geotextile, (8)DiaDrain-40 drainage and reservoir board, (9)Thermal insulation, (10)VLU mechanical protection layer, (11)root resistant waterproofing membrane, (12)roof construction

SPECIFICATION

Grill for KSR round inspection boxes, made out of stainless steel.
Diameter: 16", weight 6.2 lbs



APPLICATION

The stainless steel grilles for KSR round inspection boxes have to be installed over the terrace downpipes in order to facilitate the fast drainage of surface water.



TECHNICAL DATA

Diameter: (inch)	16
Height: (inch)	3/4
Weight: (lbs)	6.2
Type of grill:	mesh
Mesh size: (inch)	1 1/2 x 3/8
Material:	Stainless steel

Reviewed: 2015-04-07 10:54:22



DIADEM USA, Inc.
8795 SW Tualatin Sherwood Rd #1005, Tualatin, OR 97062
info@diademusa.com • www.diademusa.com

Green Up the Roof!

