

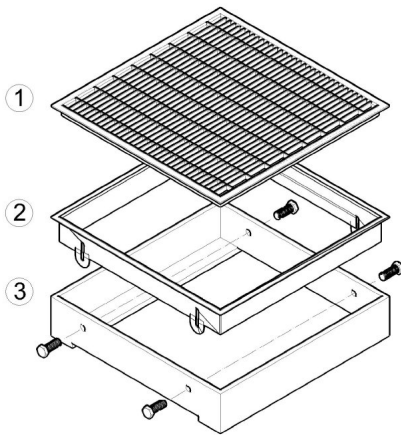
TRH-40-FF

Height adjustable gully extensions for terraces

210602

KEY FEATURES

- Low installation profile, 2"
- Easy to adjust and maintain
- Highhill safe grilles, 3/8"
- Grills also available in stainless steel



(1)Grating, (2)Frame, (3)Base; Height adjusment: 2 inches

APPLICATION

The TRH is an extension element for roof terrace gullies, housing is manufactured from hard composite with a choice of hot dip galvanized, or stainless steel grille covers. The TRH terrace grille is available in three sizes:12x12", 16x16" or 20x20", each of which can be ordered in individual heights between 2"-12" and additionally adjusted in +/- 2". The TRH gully extensions ensure the drainage of roof terraces, and simplify access and maintenance of the roof outlets. In large terrace areas additional TRH product installations are recommended outside of the gullies for controlling increased rainwater volume.



SPECIFICATION

The TRH-40 roof outlet extension box ensure the perfect drainage of roof terraces, and simplify access and maintenance. Made of polypropylene housing and hot-dip galvanized or stainless steel grilles. The mesh grid spacing is 1-1/2" x 3/8". There are four 2" drain pipe slots at the side. Size: 15-3/4" x 15-3/4" x 3-1/8 - 4-1/2"(LxWxH). Weight: 9.99 lbs/pc; It comes with the standard 10 year warranty against defects in materials or manufacture.

TECHNICAL DATA

Length: (inch)	15-3/4
Width: (inch)	15-3/4
Height: (inch)	3-1/8 - 4 1/2
Mesh size: (inch)	1-1/2 x 3/8
Weight: (lbs/pc)	9.33
Material Housing :	polypropylene
Material Grating:	hot dip galvanized, or stainless steel
Housing Color:	RAL 7032
Packaging unit: (pcs/pal.)	150
Material requirement: (piece/piece)	1,01
Installation standard: (hr / piece)	0,40

Reviewed: 2015-09-30 12:02:17



DIADEM USA, Inc.
8795 SW Tualatin Sherwood Rd #1005, Tualatin, OR 97062
info@diademusa.com • www.diademusa.com



Green Up the Roof!