

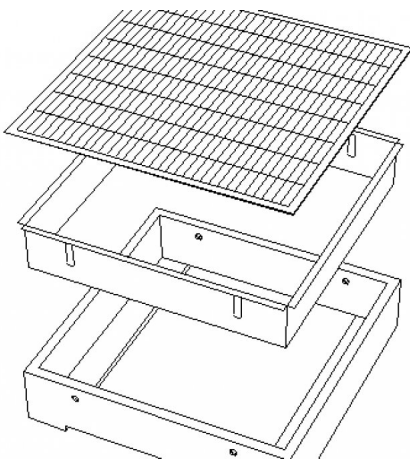
# TRH-50-FF

210603

TRH are height adjustable gully extensions for terraces, made out of composite housing and a step-

## KEY FEATURES

- Low installation profile
- Easy to maintain
- Adjustable height
- Three standard sizes are available
- Durable hard plastic housing
- Grills also available in stainless steel



3-28-2011 We need to find a solution for fixing the grilles, and change the housing sizes for 18x18" and 24x24"



## APPLICATION

Used on roof terraces built with pavers which rest on aggregate or pedestals. The TRH gully extensions ensure the drainage of roof terraces, and simplify access and maintenance of the roof outlets. In large terrace areas additional TRH product installations are recommended outside of the gullies for controlling increased rainwater volume.

## SPECIFICATION

### TECHNICAL DATA

Material requirement: (piece/piece)	1,01
Installation standard: (hr / piece)	0,40
Packaging unit: (piece/ pal.)	104
Housing Color: (RAL)	7032
Material Housing :	composite
Material Grating:	hot dip galvanized, or stainless steel
Weigth: (lbs/pcs)	7.71
Length: (inch)	11-13/16"
Width: (inch)	11-13/16"
Height: (inch)	3-4 1/2"

Reviewed: 2015-09-30 13:29:25



DIADEM USA, Inc.  
8795 SW Tualatin Sherwood Rd #1005, Tualatin, OR 97062  
info@diademusa.com • www.diademusa.com



Green Up the Roof!